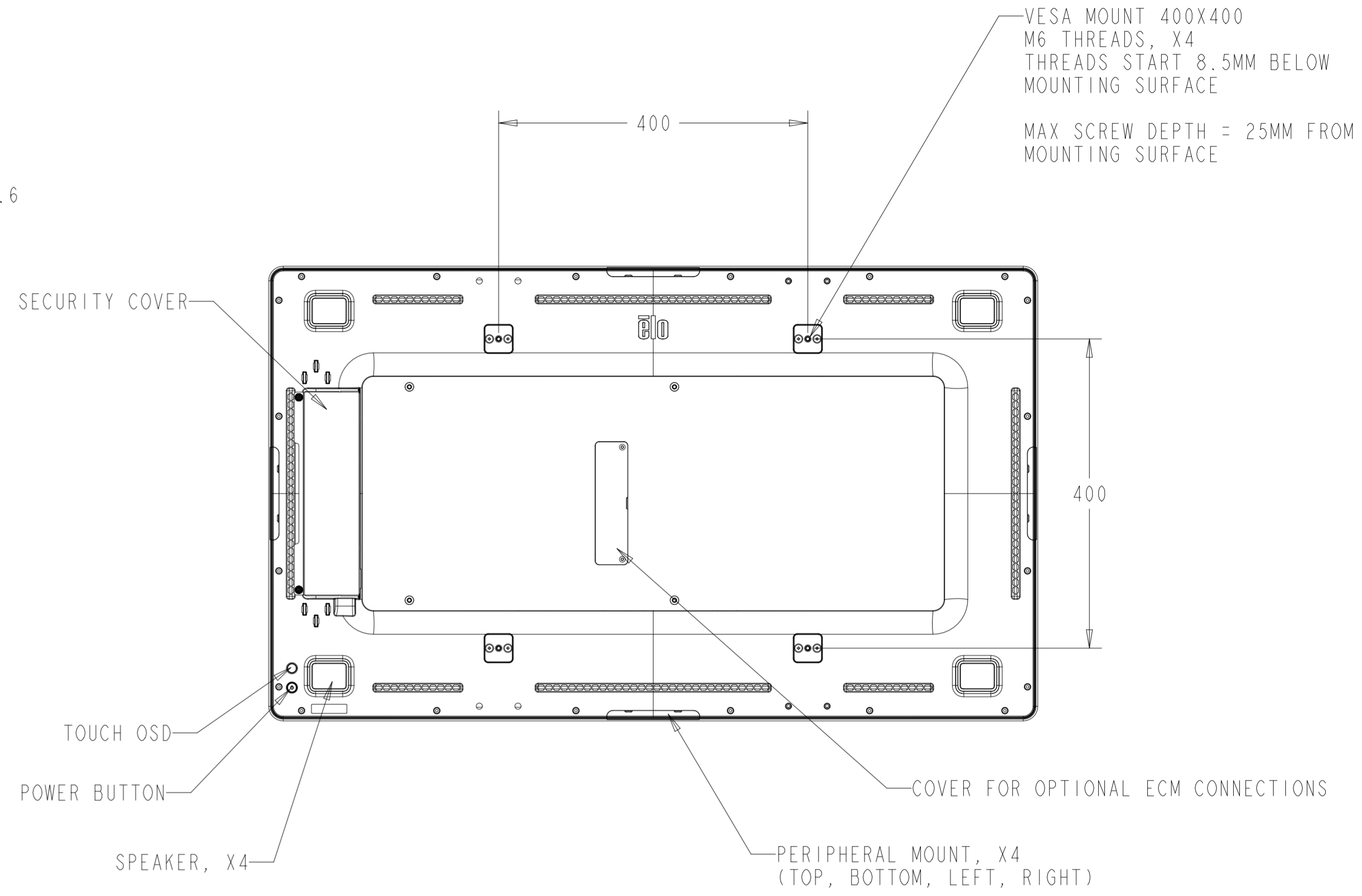
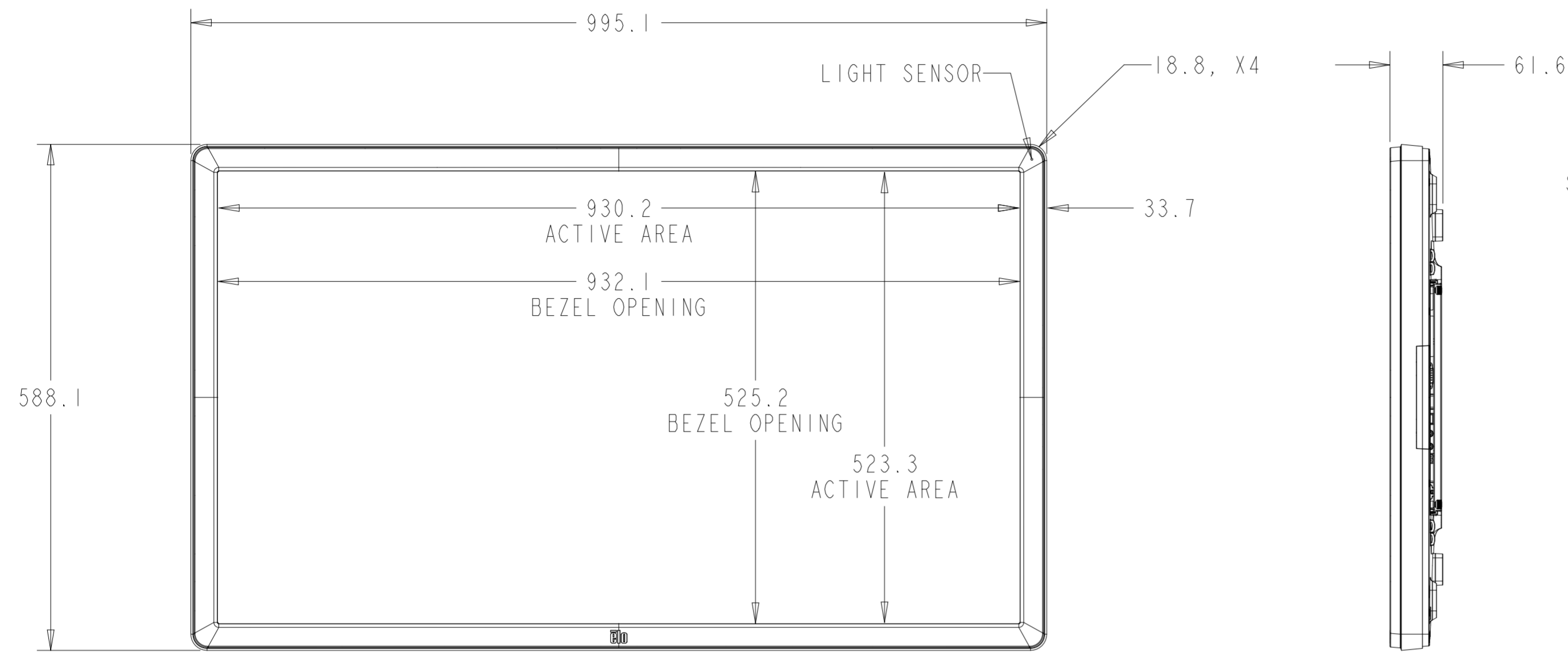
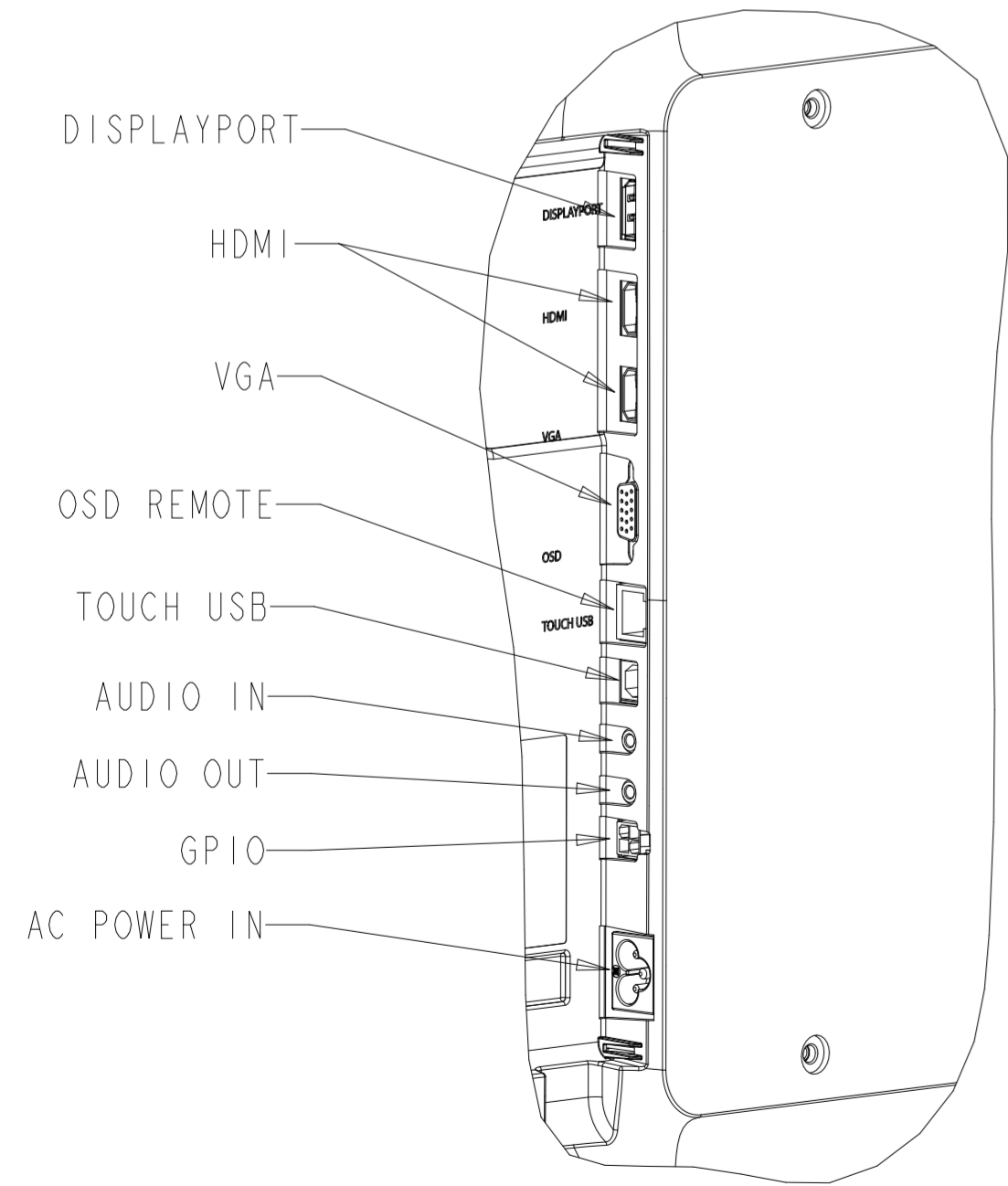


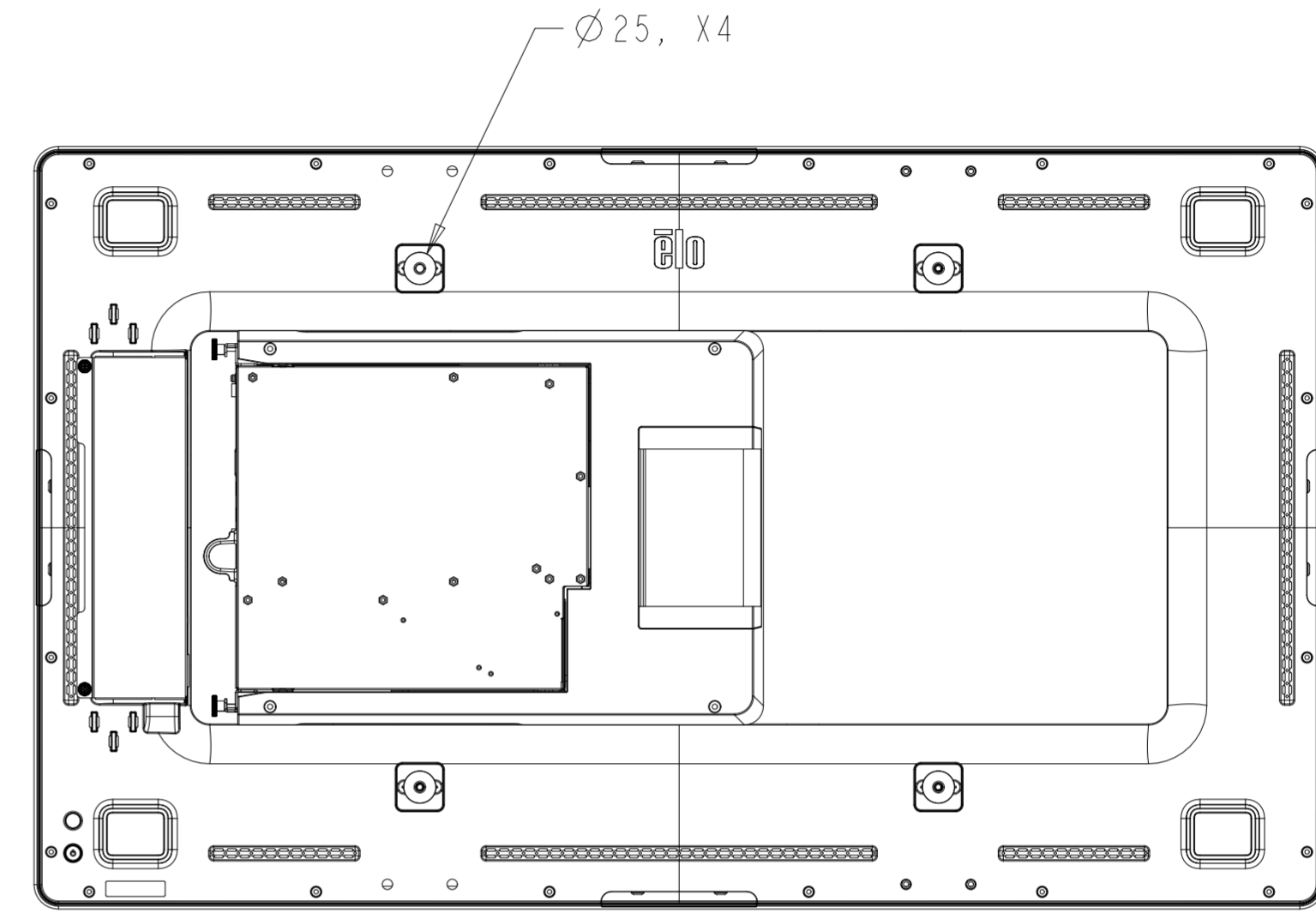
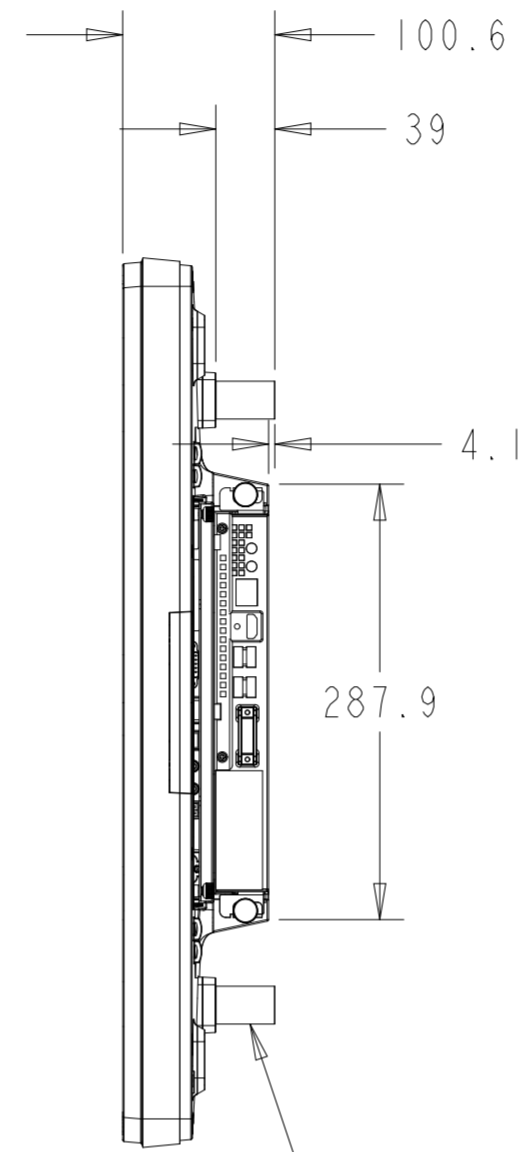
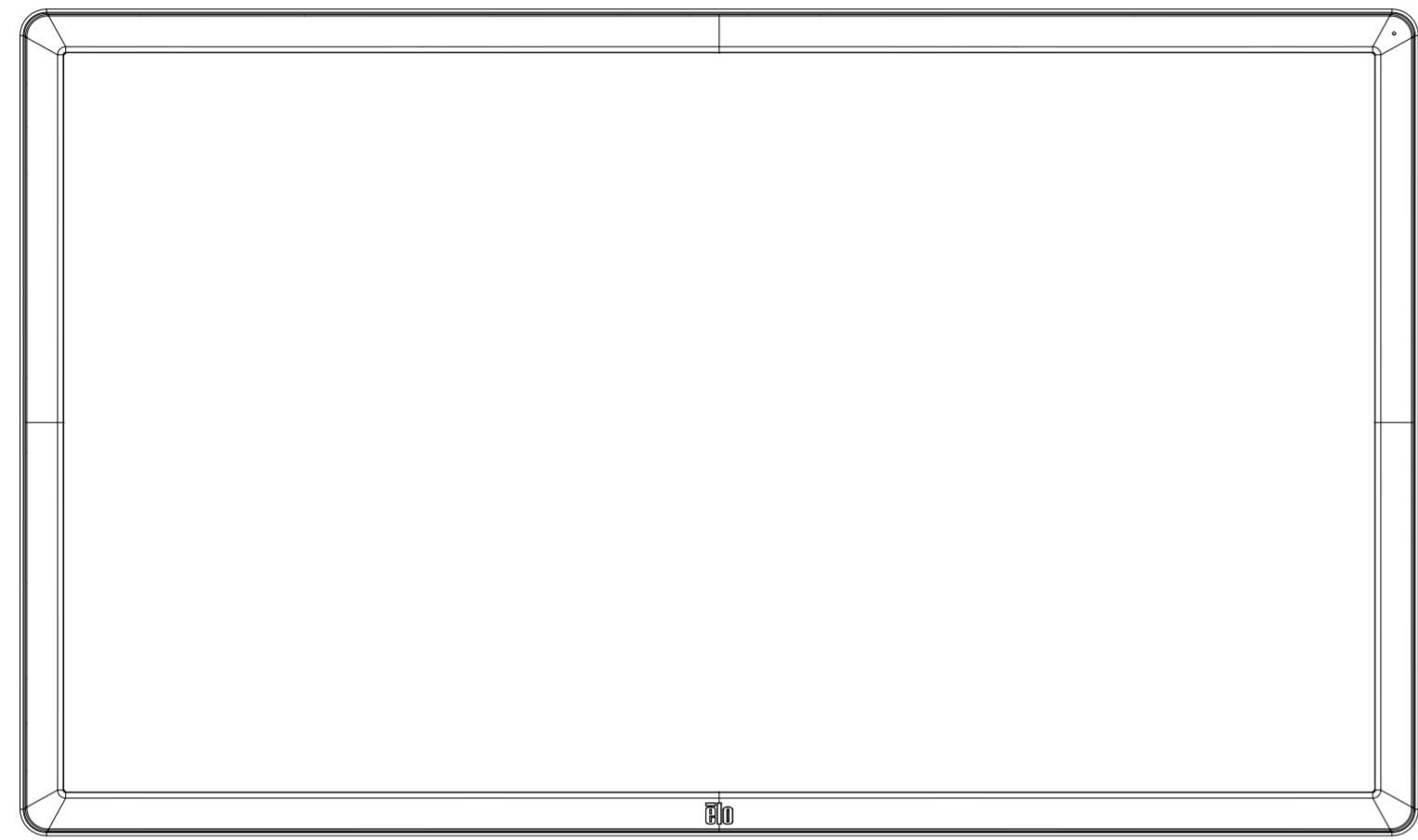
IR MODEL



I/O CONNECTIONS
(UNDER SECURITY COVER)

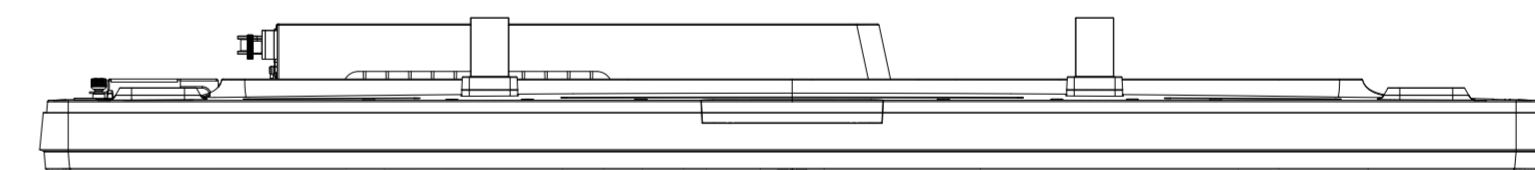
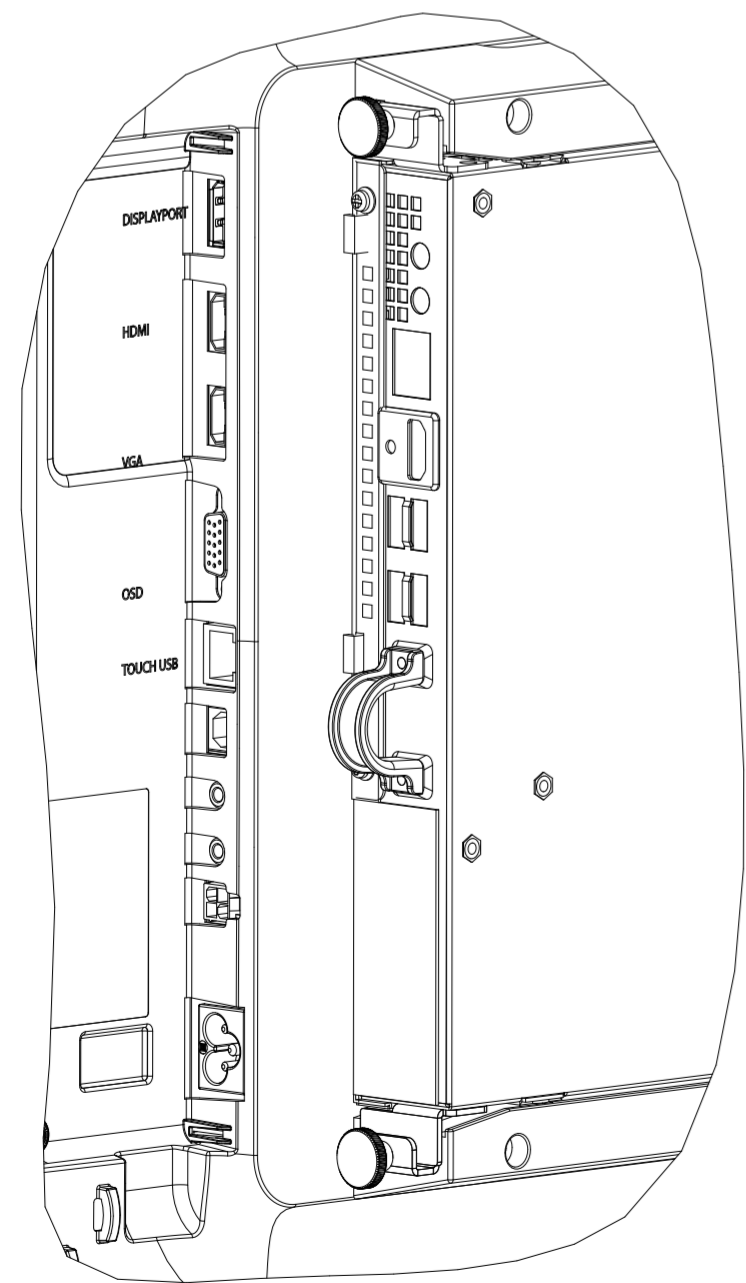


IR MODEL WITH OPTIONAL ECM KIT

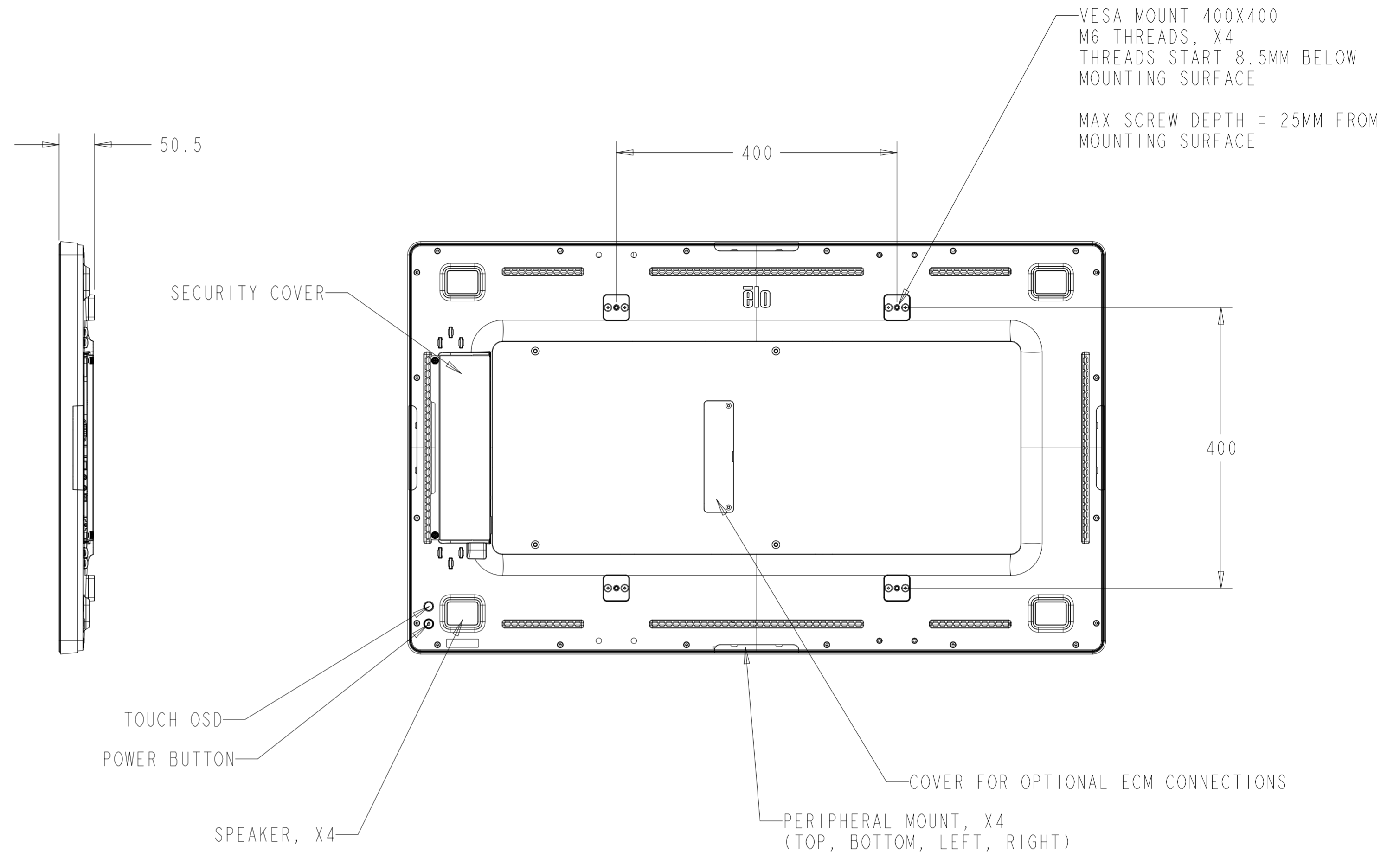
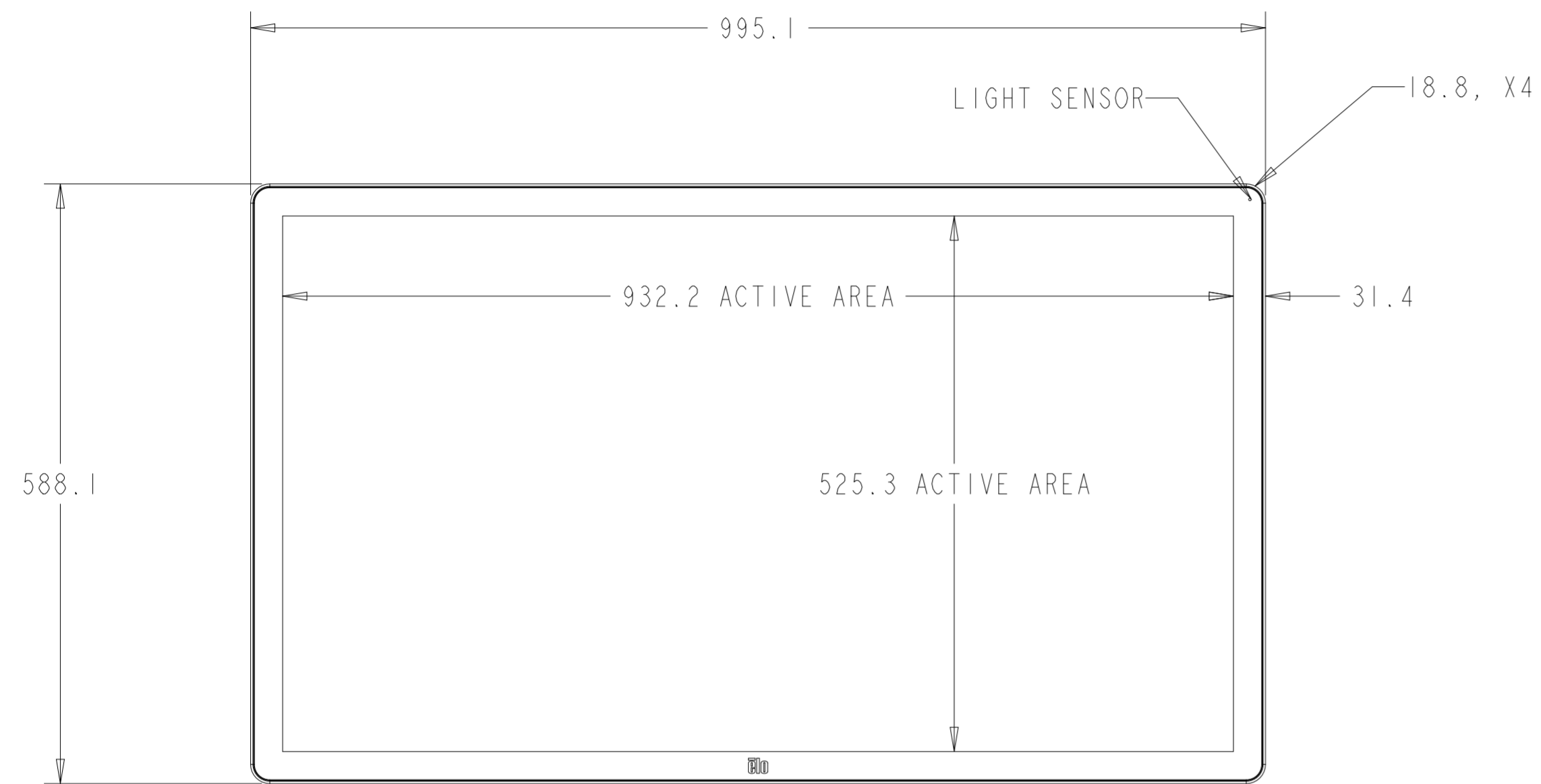


EXTENSION SPACERS AND SCREWS (X4)
INCLUDED WITH ECM KIT

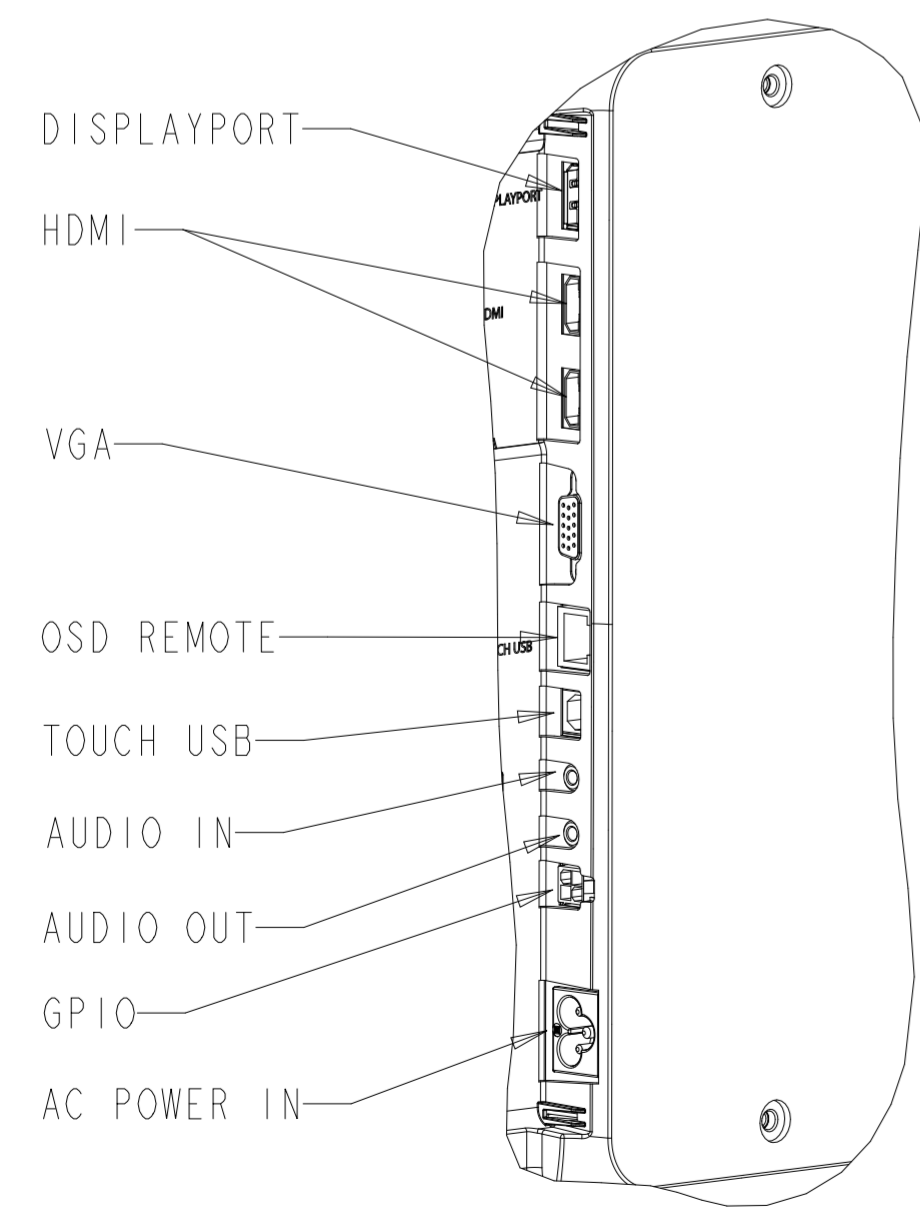
ECM CONNECTIONS ON SAME SIDE
AS IDS I/O CONNECTIONS



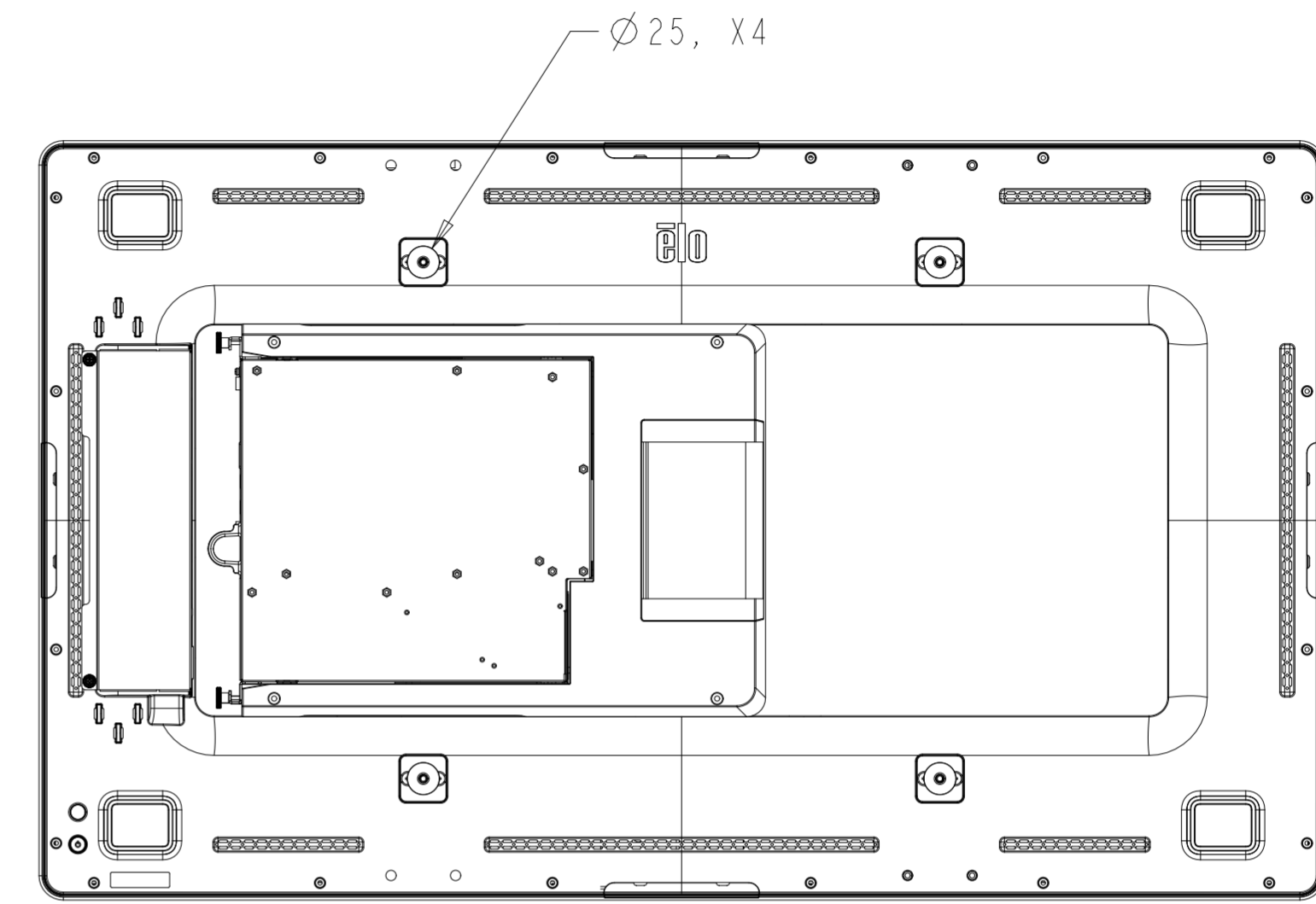
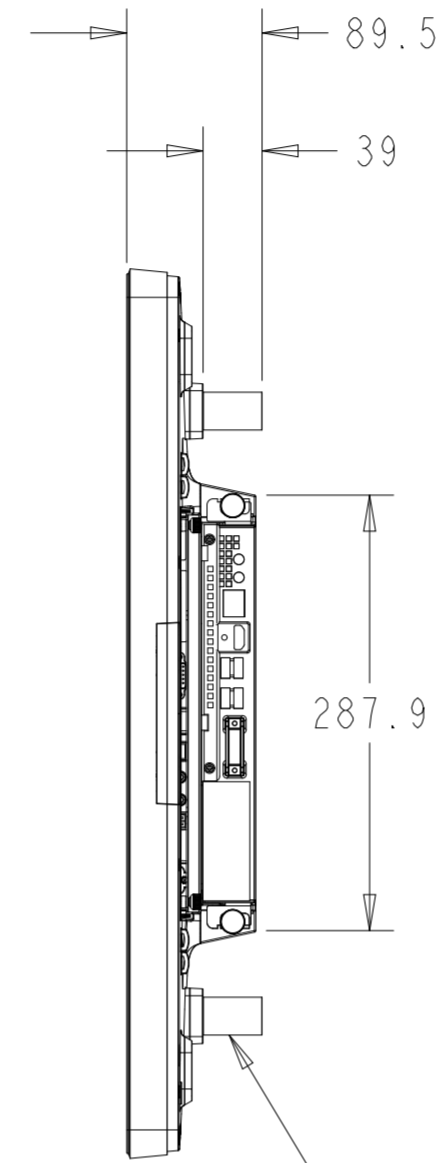
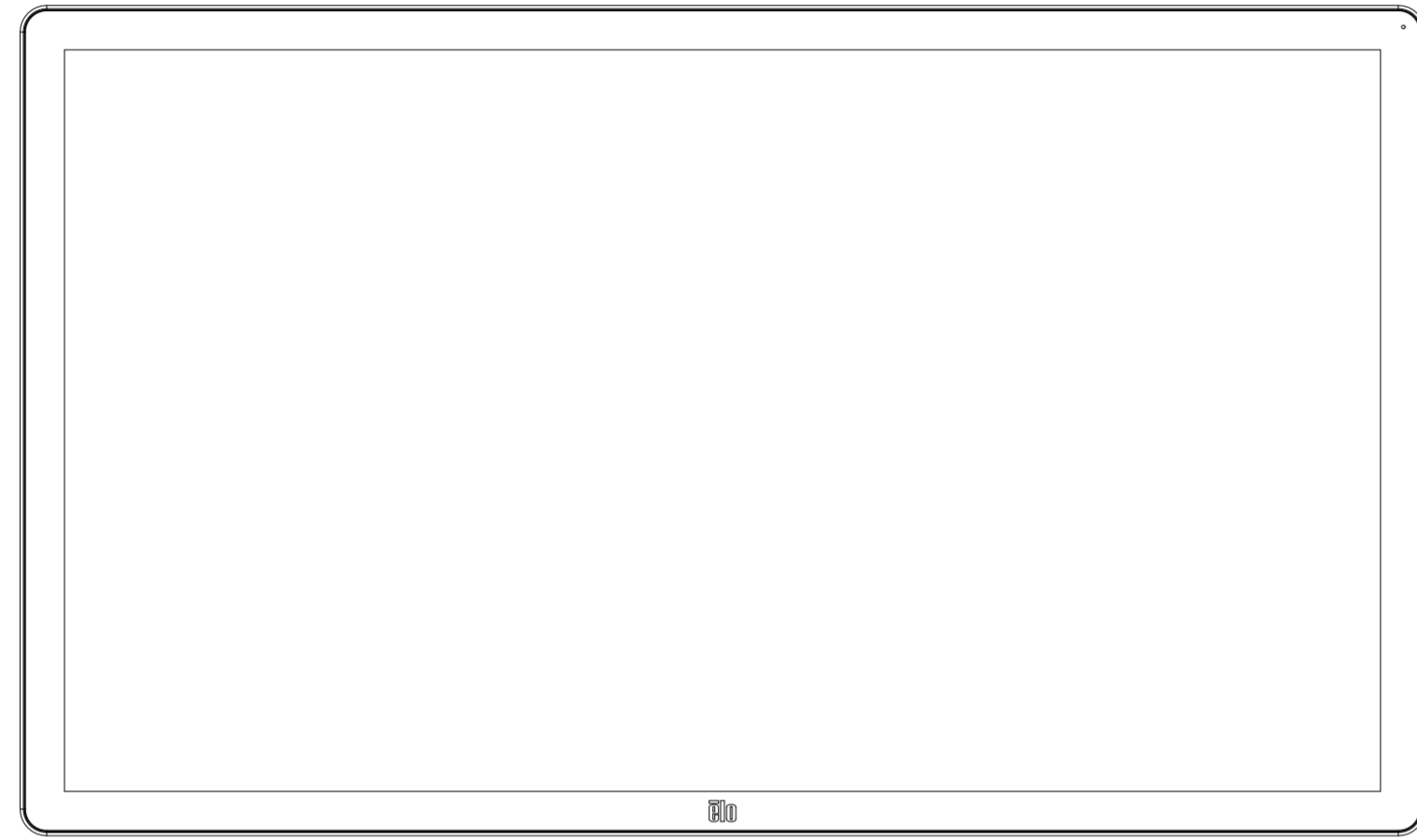
PROJECTED CAPACITIVE MODEL



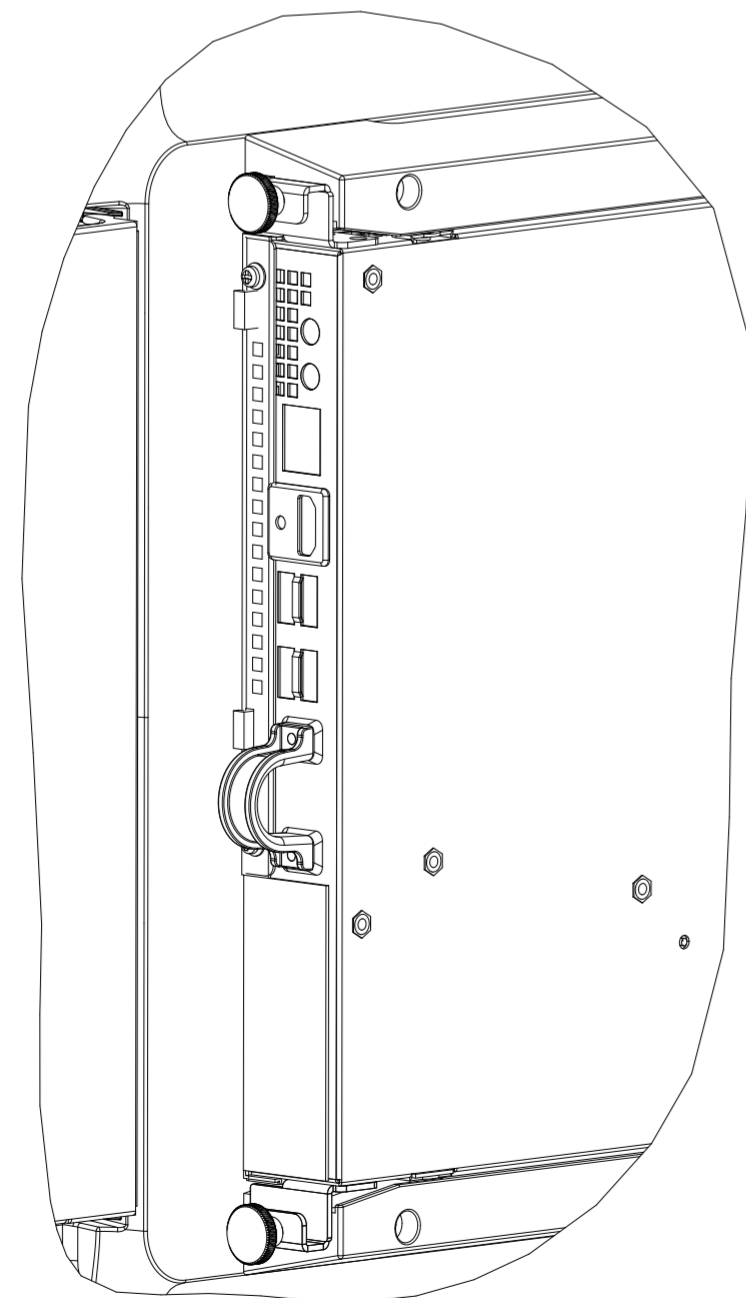
I/O CONNECTIONS
(UNDER SECURITY COVER)



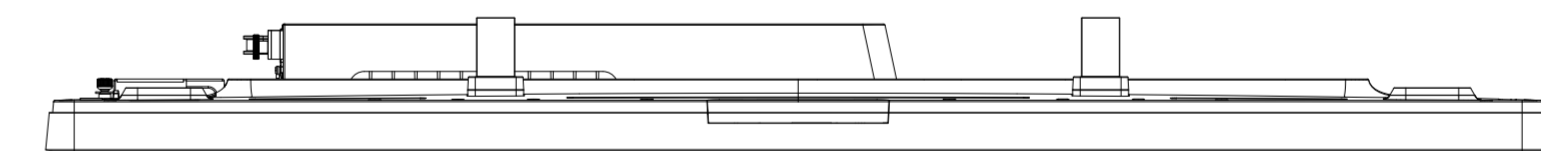
PROJECTED CAPACITIVE MODEL WITH OPTIONAL ECM KIT



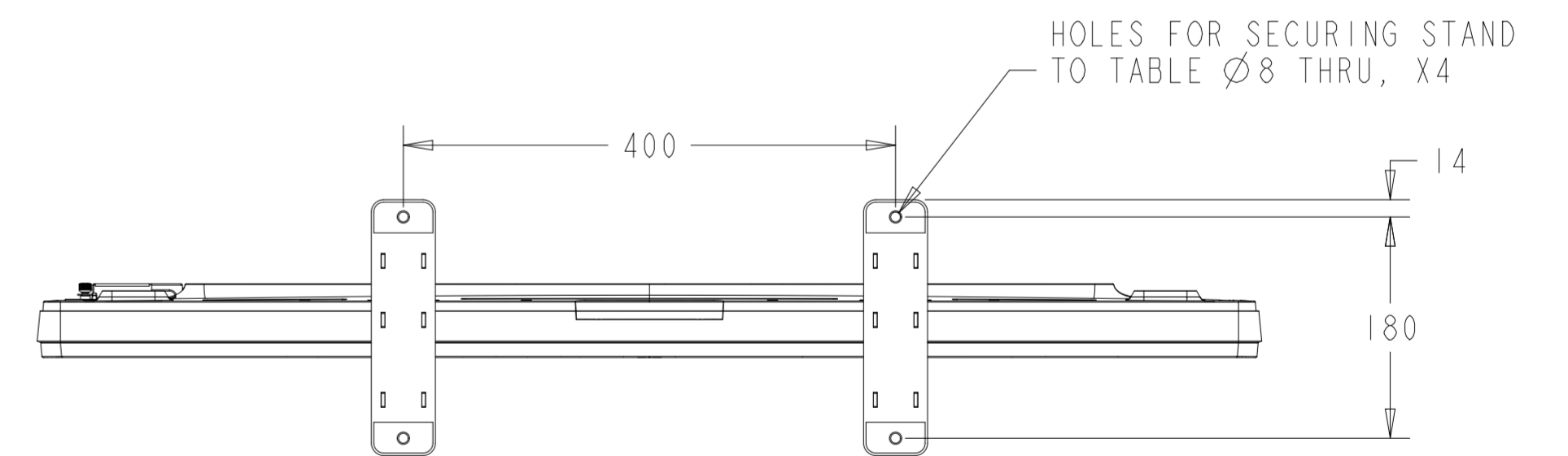
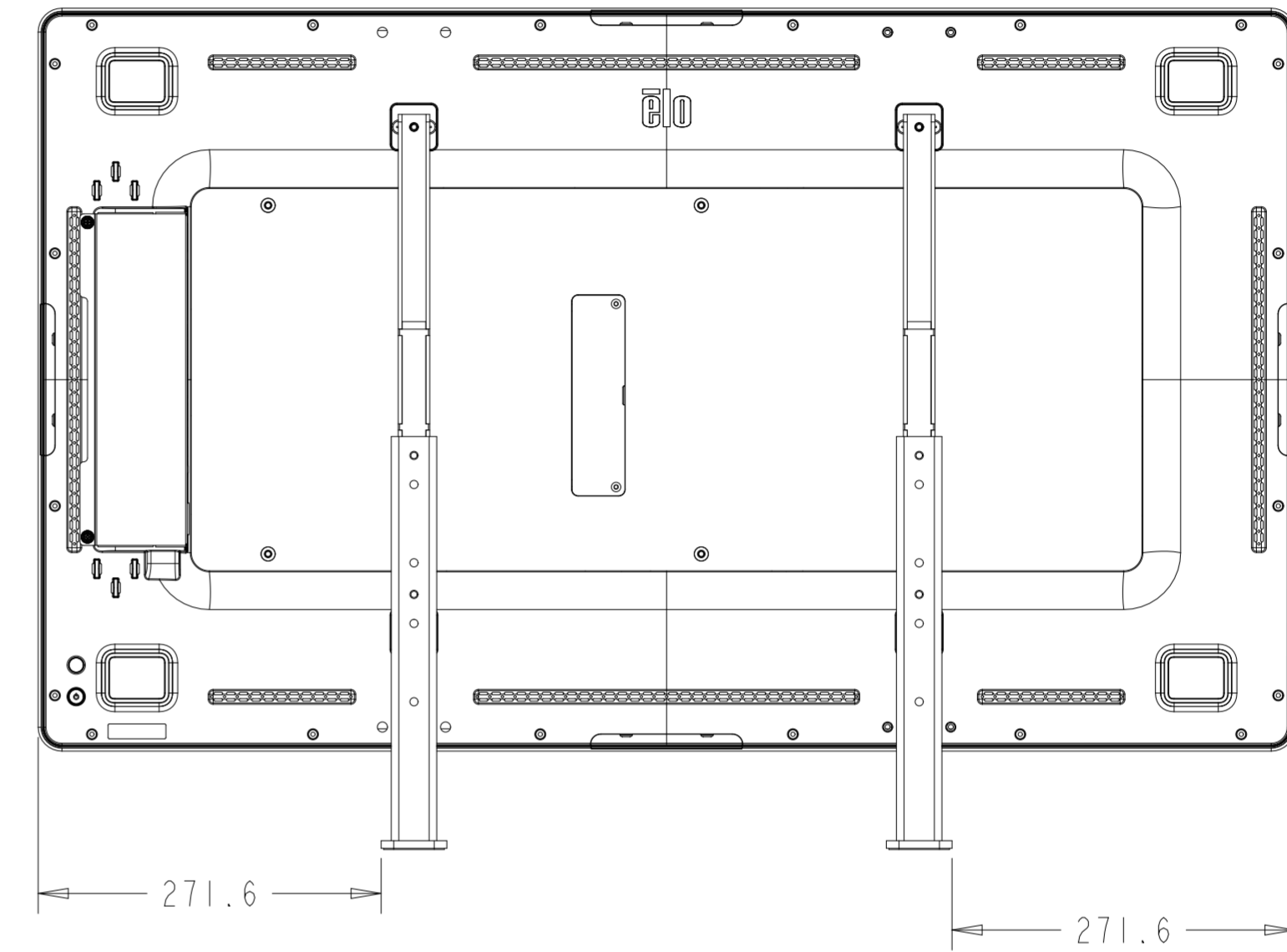
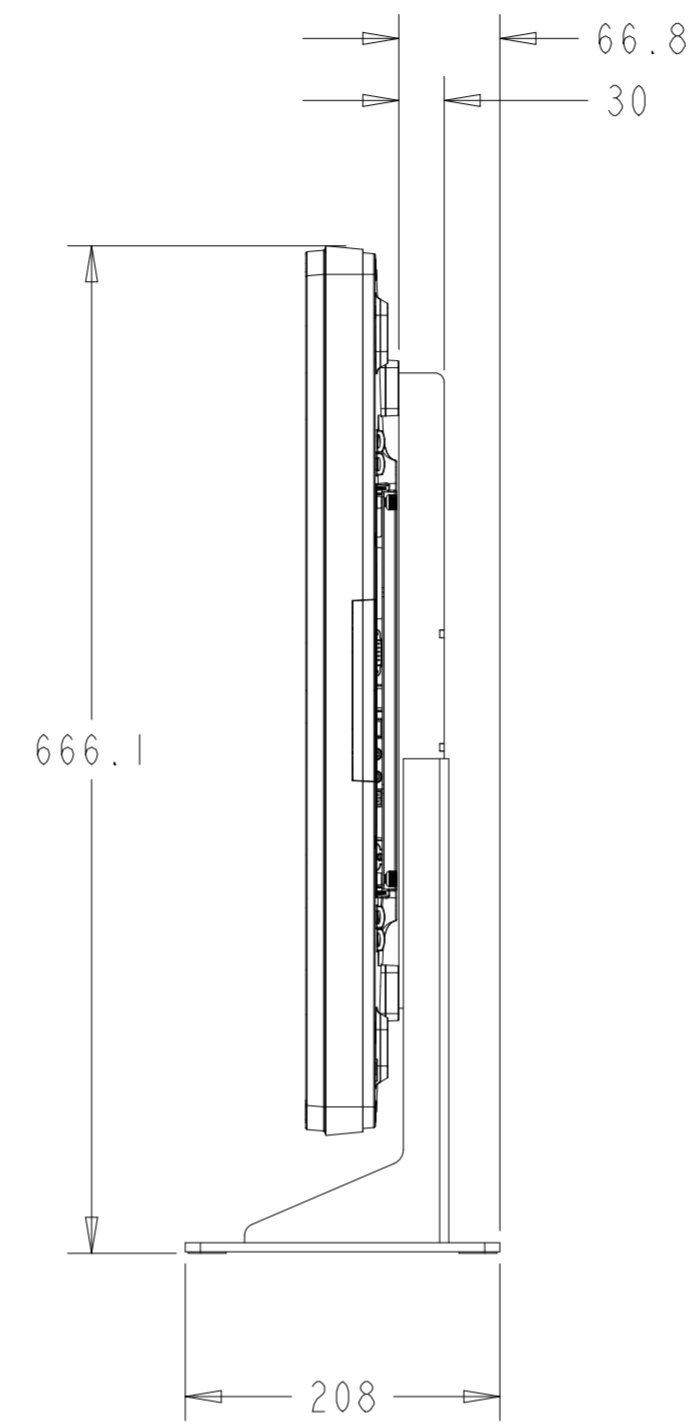
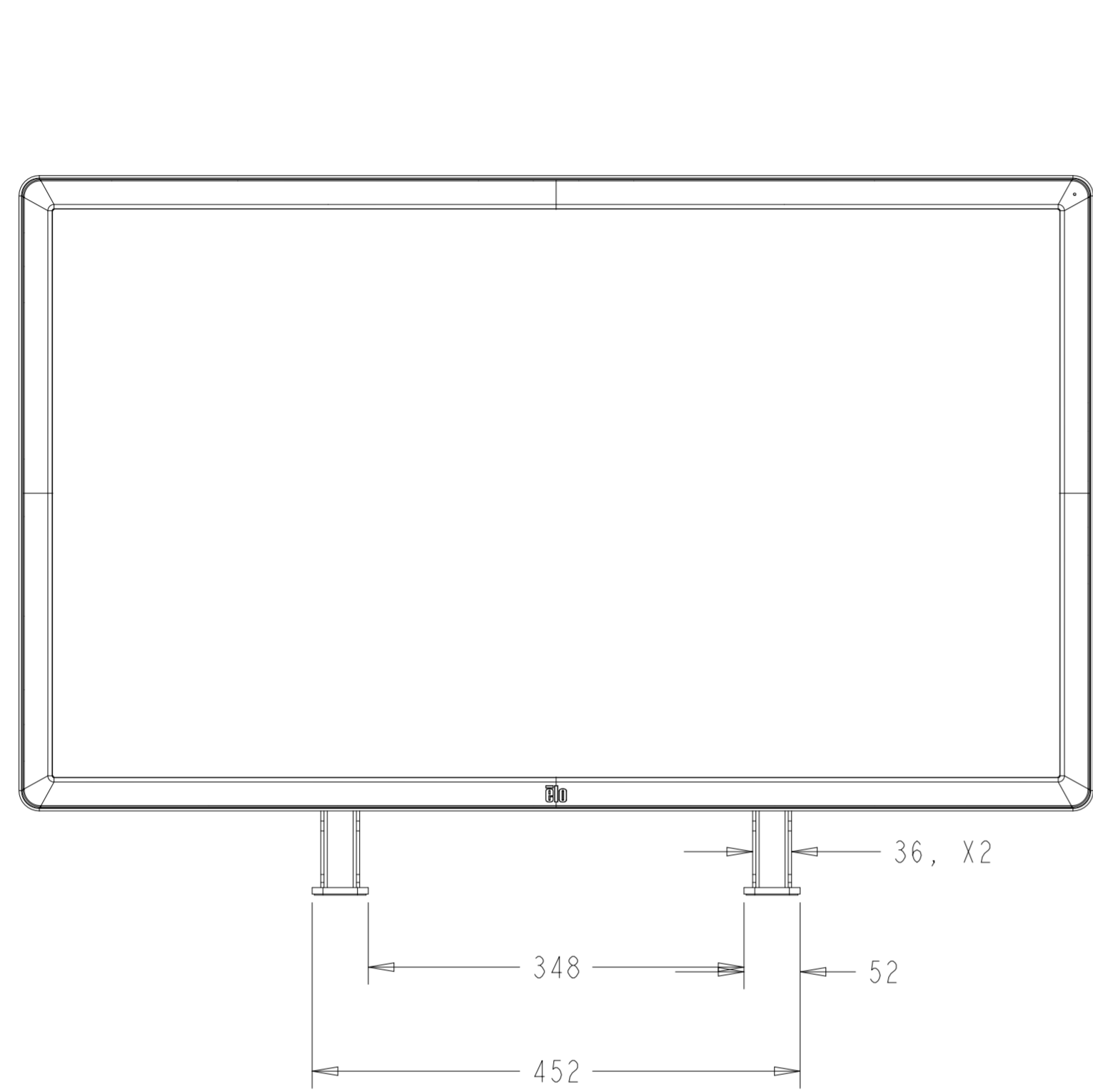
ECM CONNECTIONS ON SAME SIDE AS IDS I/O CONNECTIONS



EXTENSION SPACERS AND SCREWS (X4) INCLUDED WITH ECM KIT

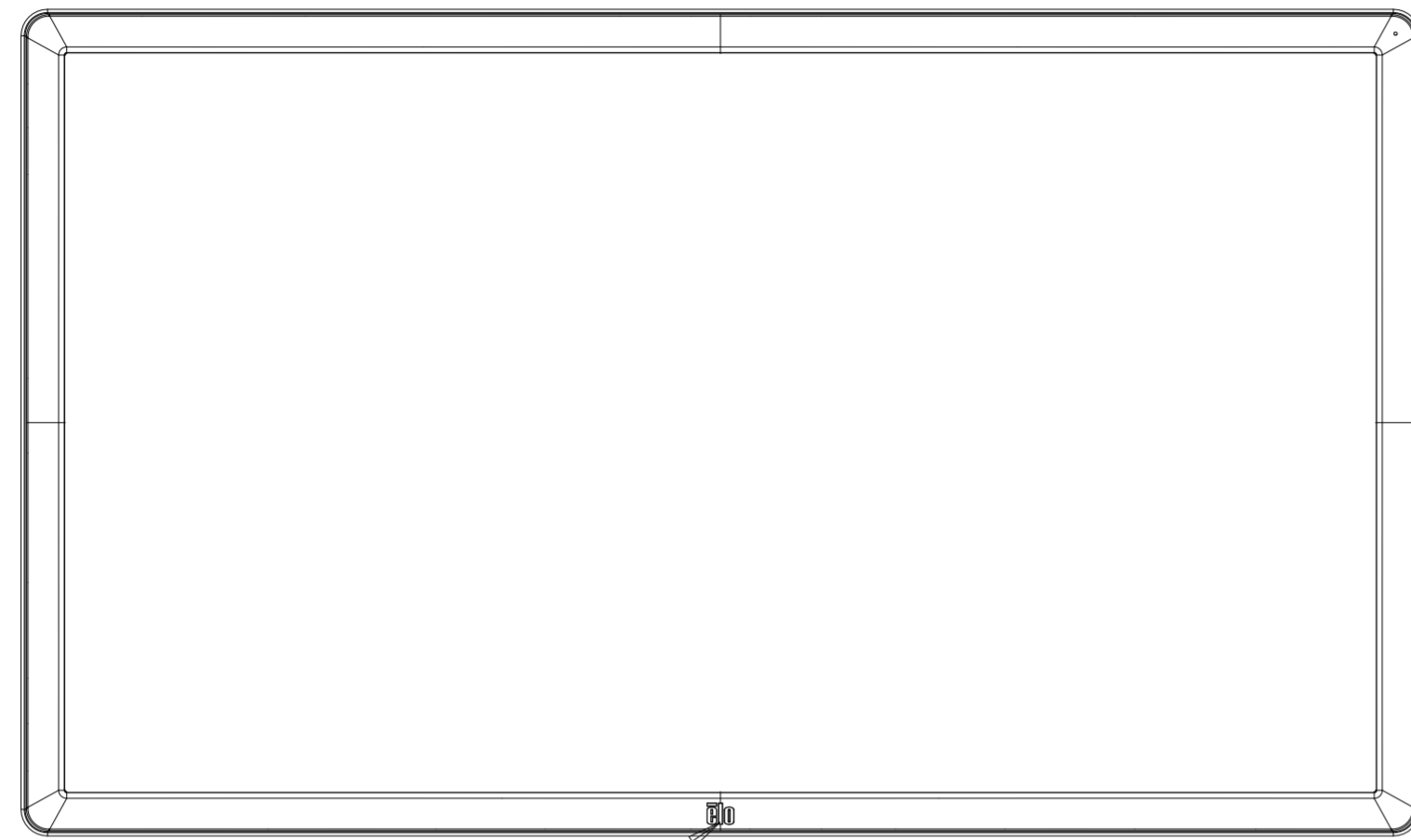


OPTIONAL STAND KIT P/N E275623

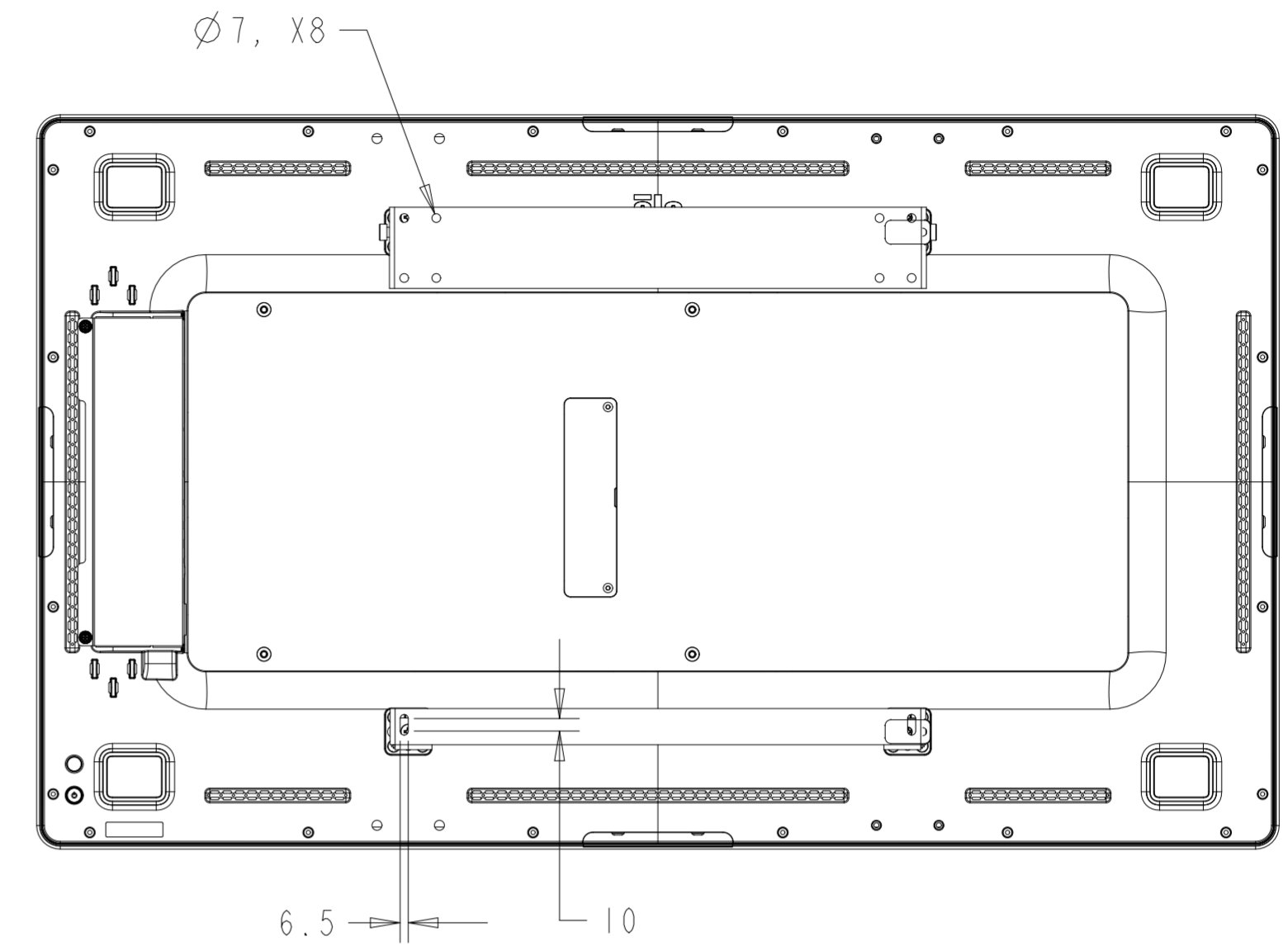
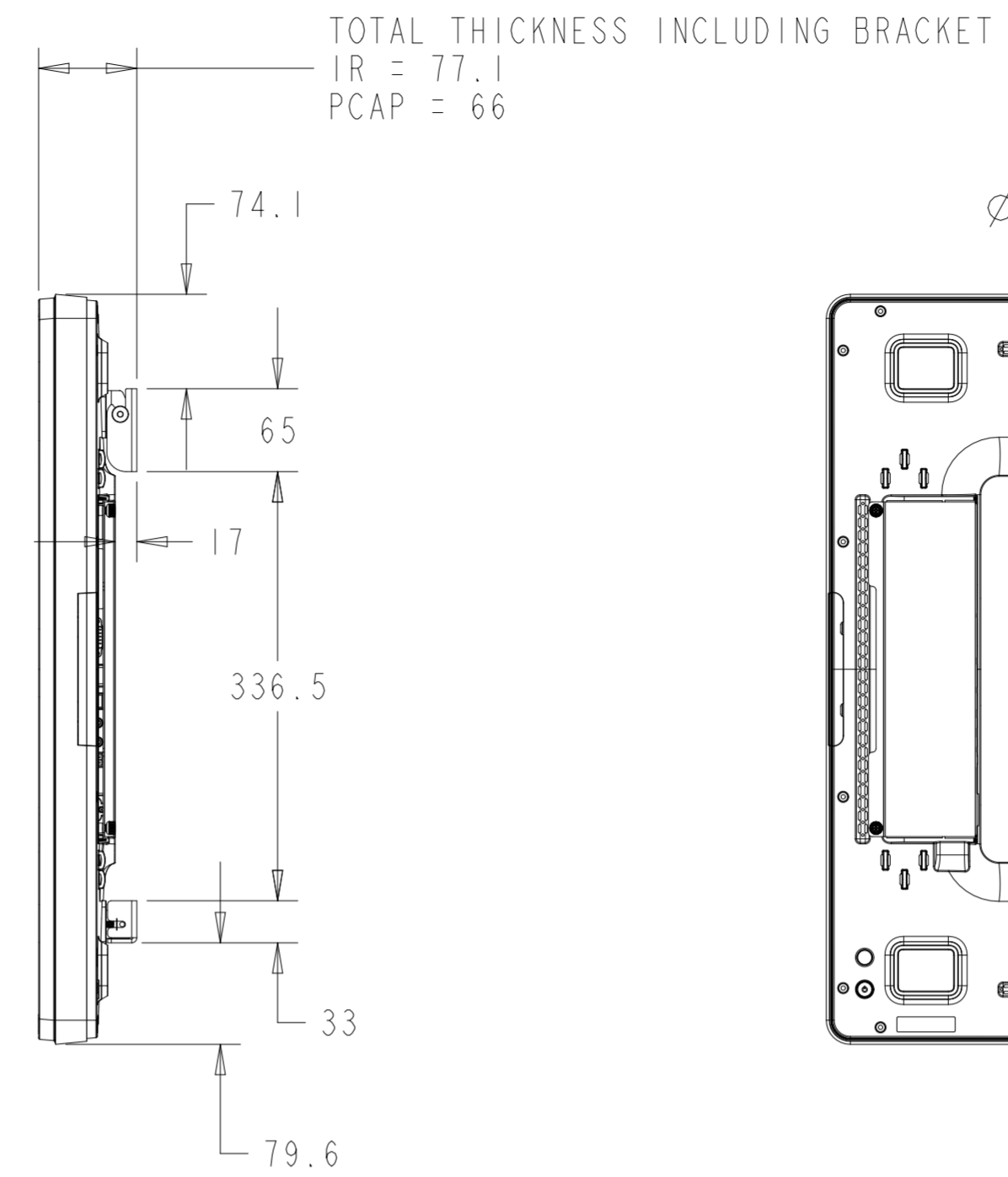


OPTIONAL LOW PROFILE WALLMOUNT KIT P/N E275050
 SEE NEXT PAGE FOR DIMENSIONS WITH ECM KIT

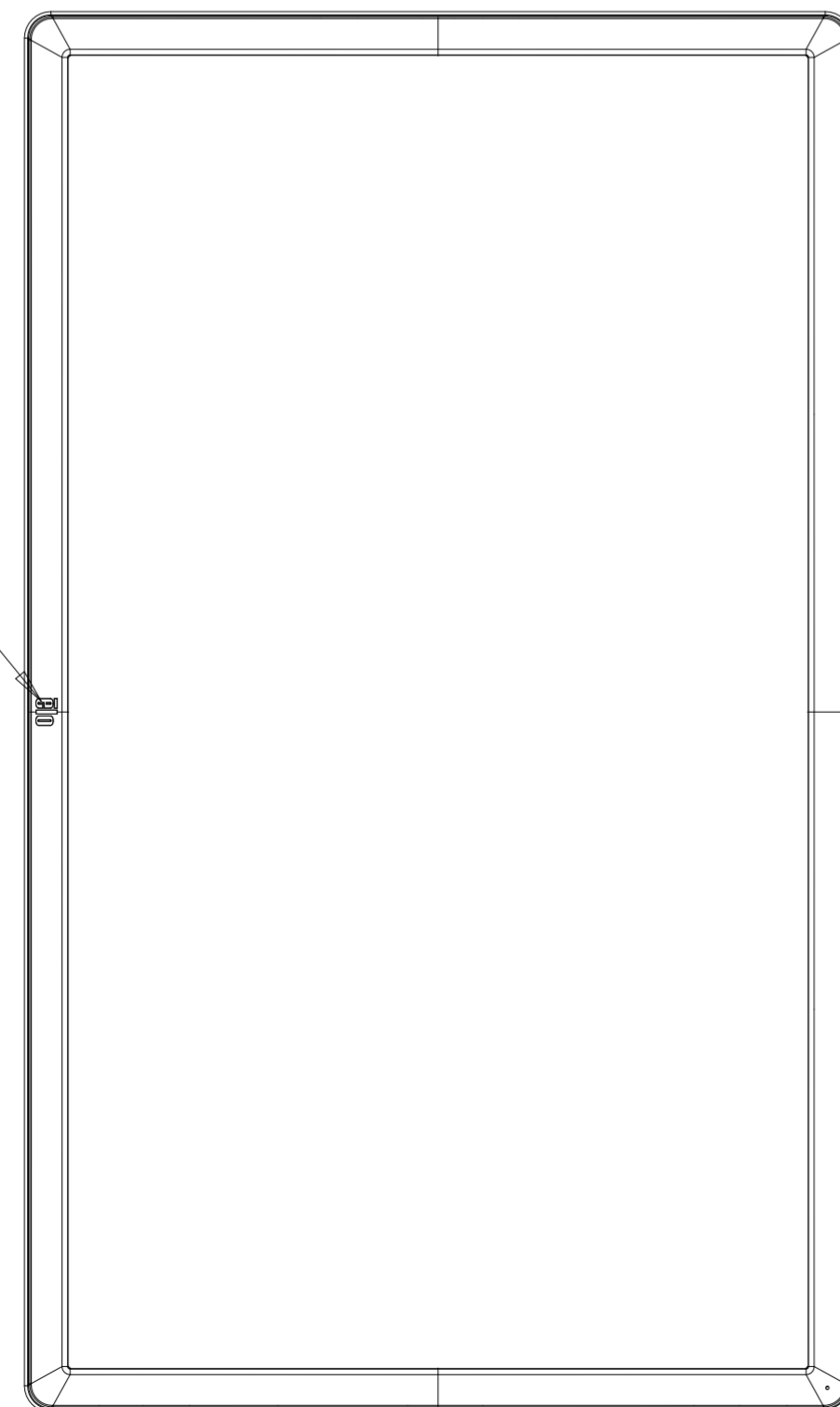
LANDSCAPE ORIENTATION



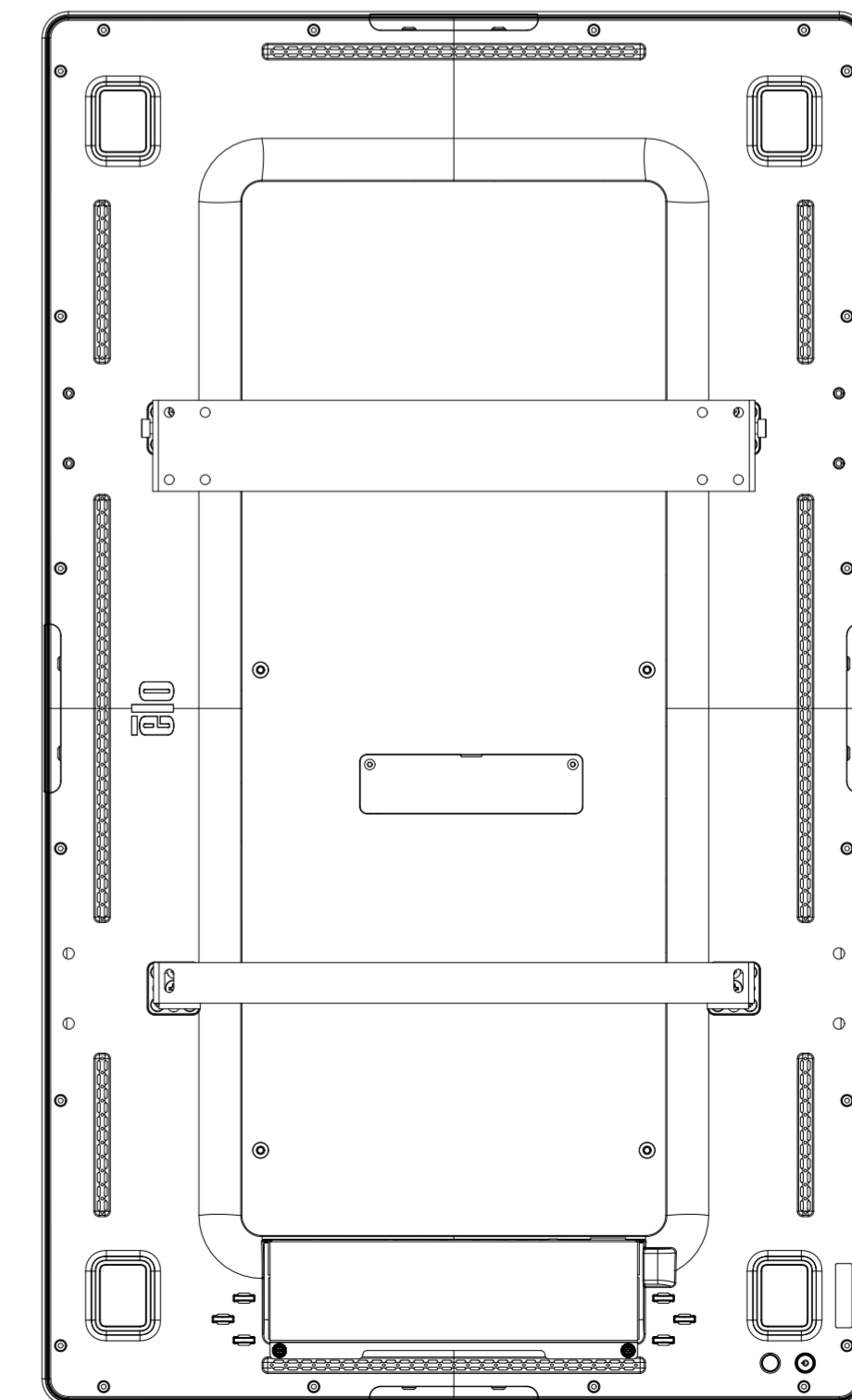
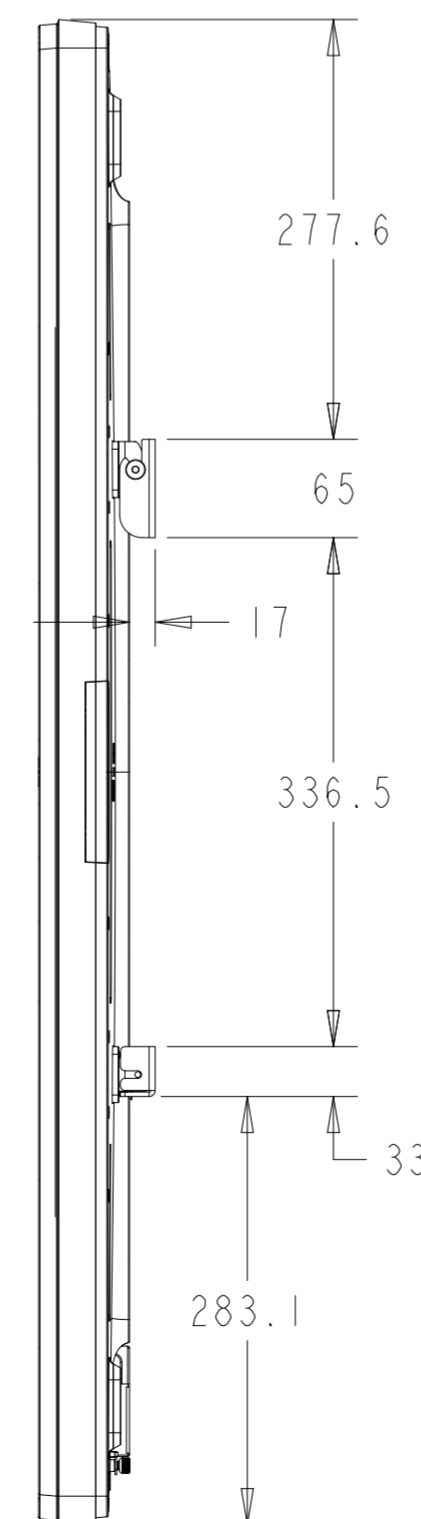
LOGO ON BOTTOM



PORTRAIT ORIENTATION

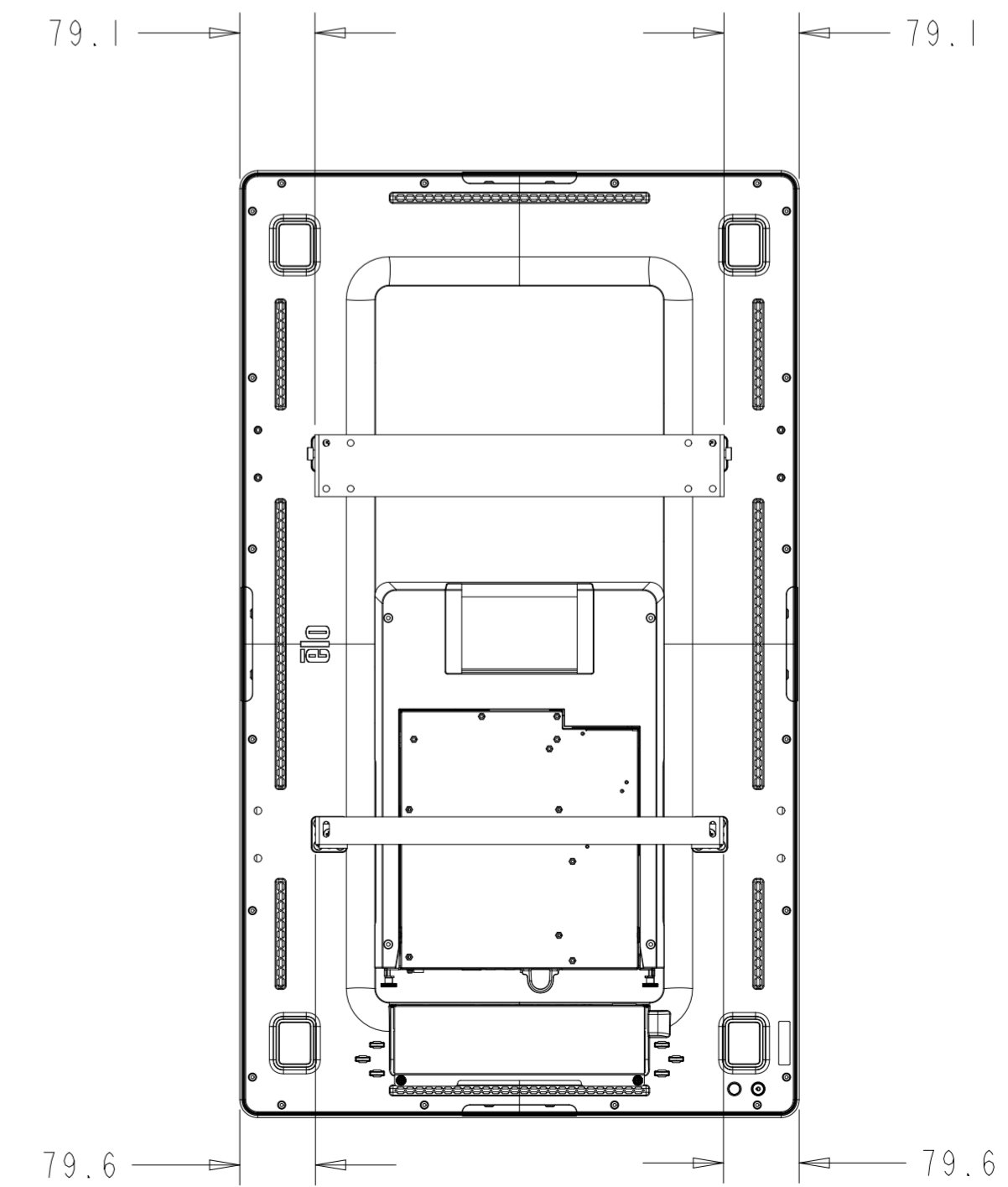
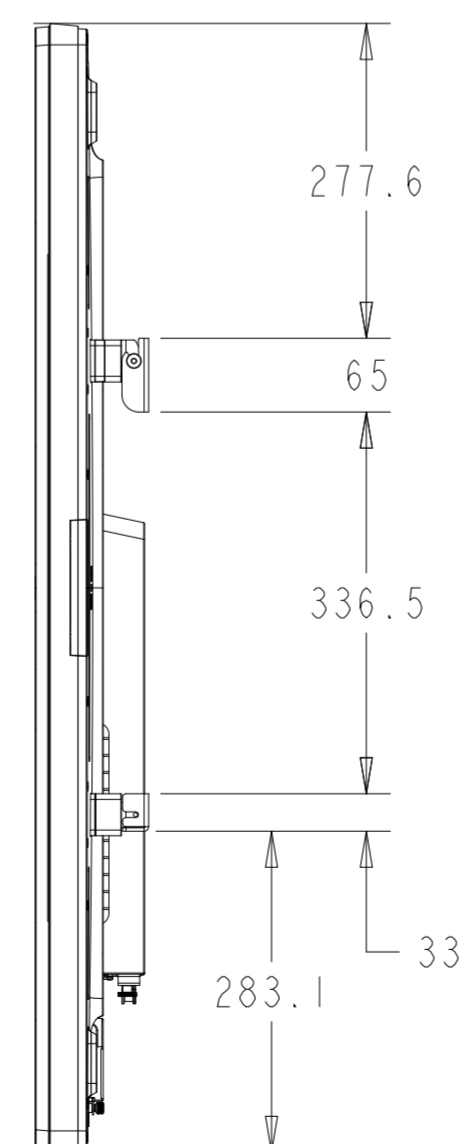
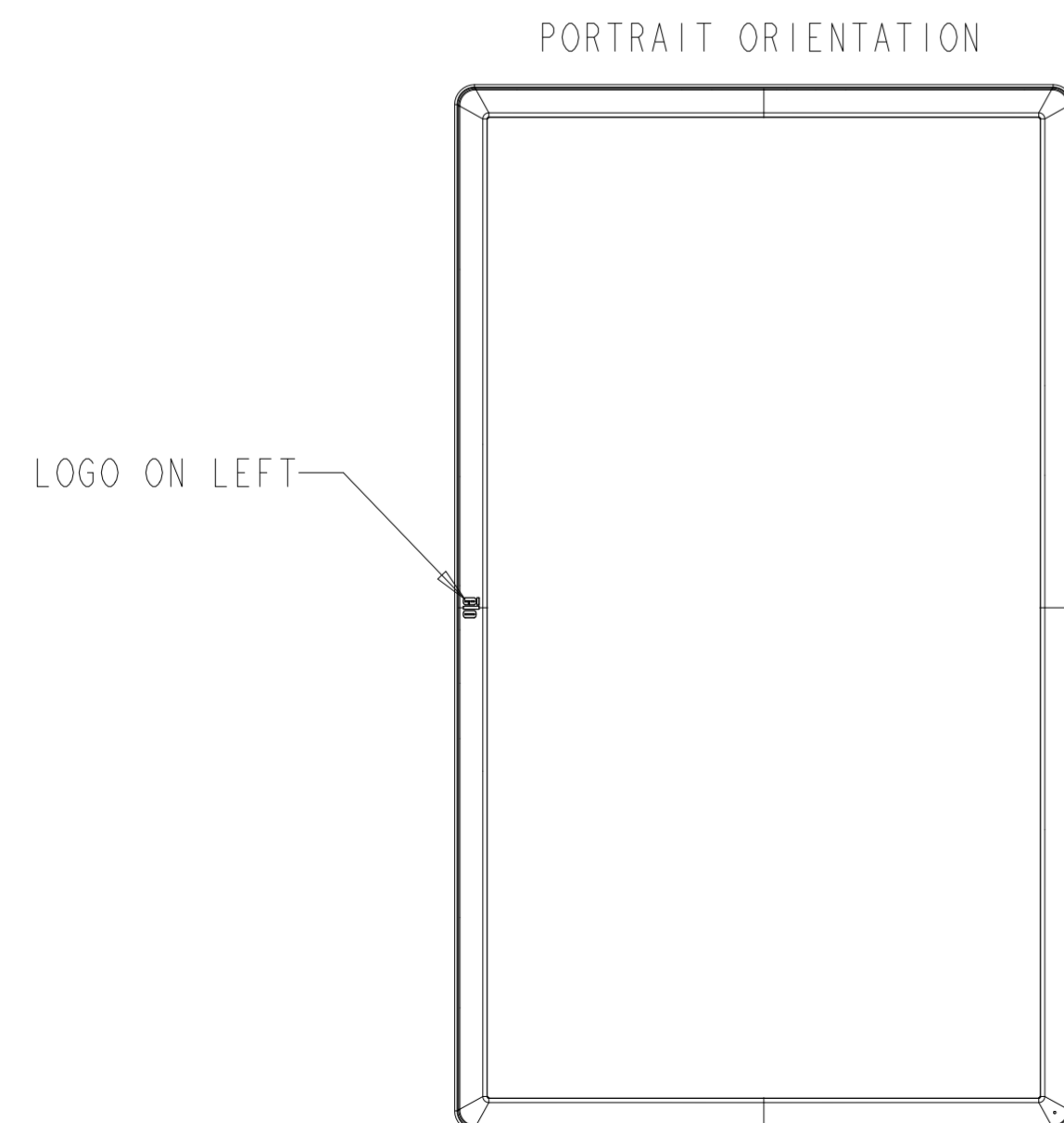
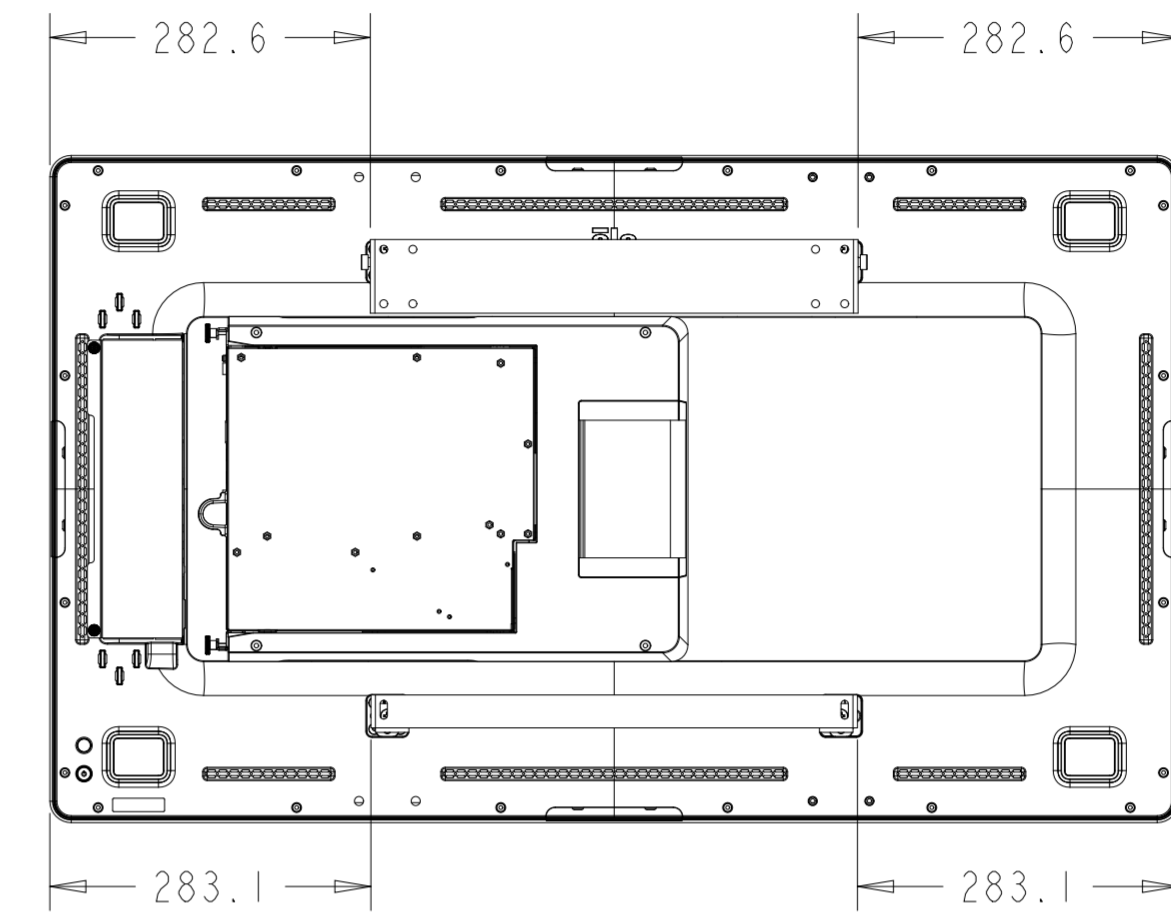
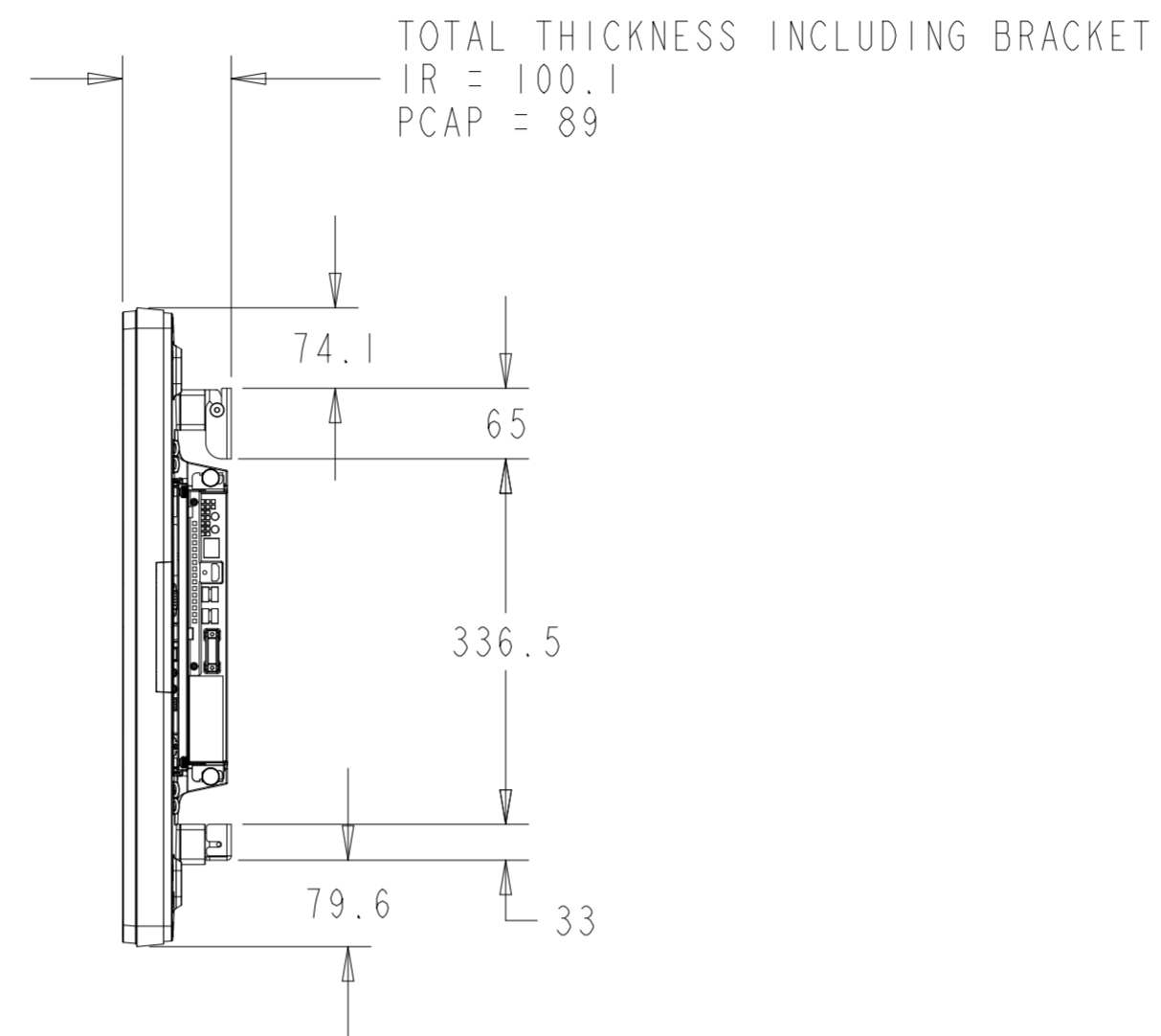
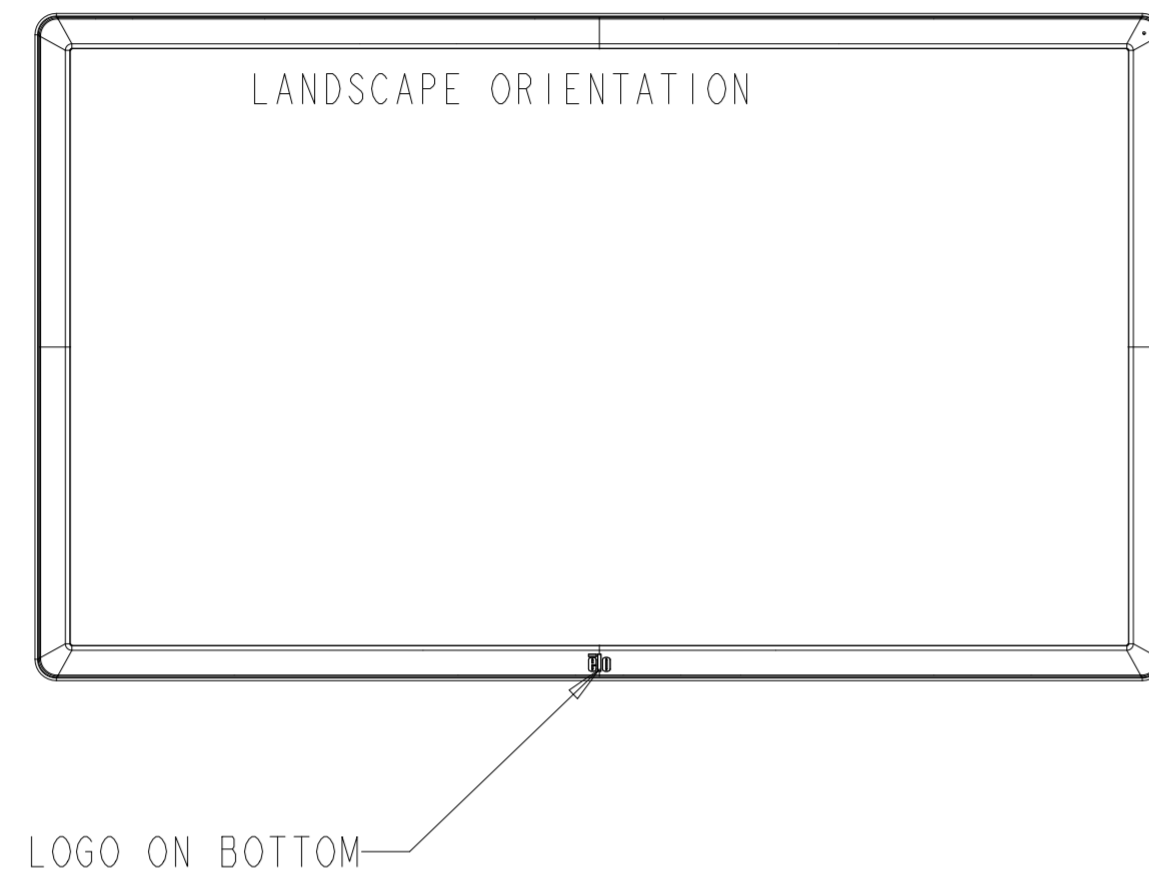


LOGO ON LEFT



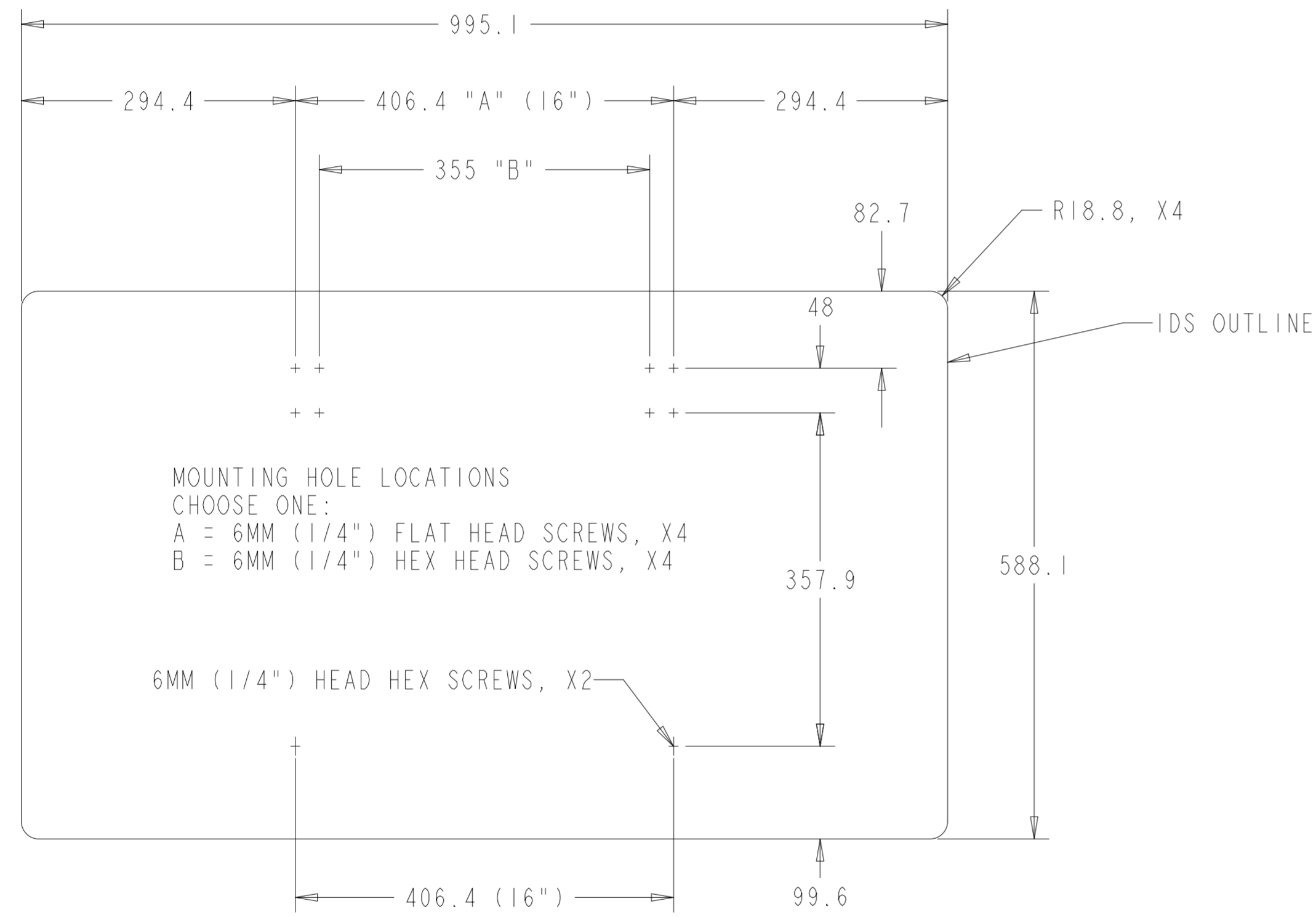
OPTIONAL LOW PROFILE WALLMOUNT KIT P/N E275050
WITH OPTIONAL ECM KIT.

SEE PREVIOUS PAGE FOR DIMENSIONS WITHOUT ECM KIT

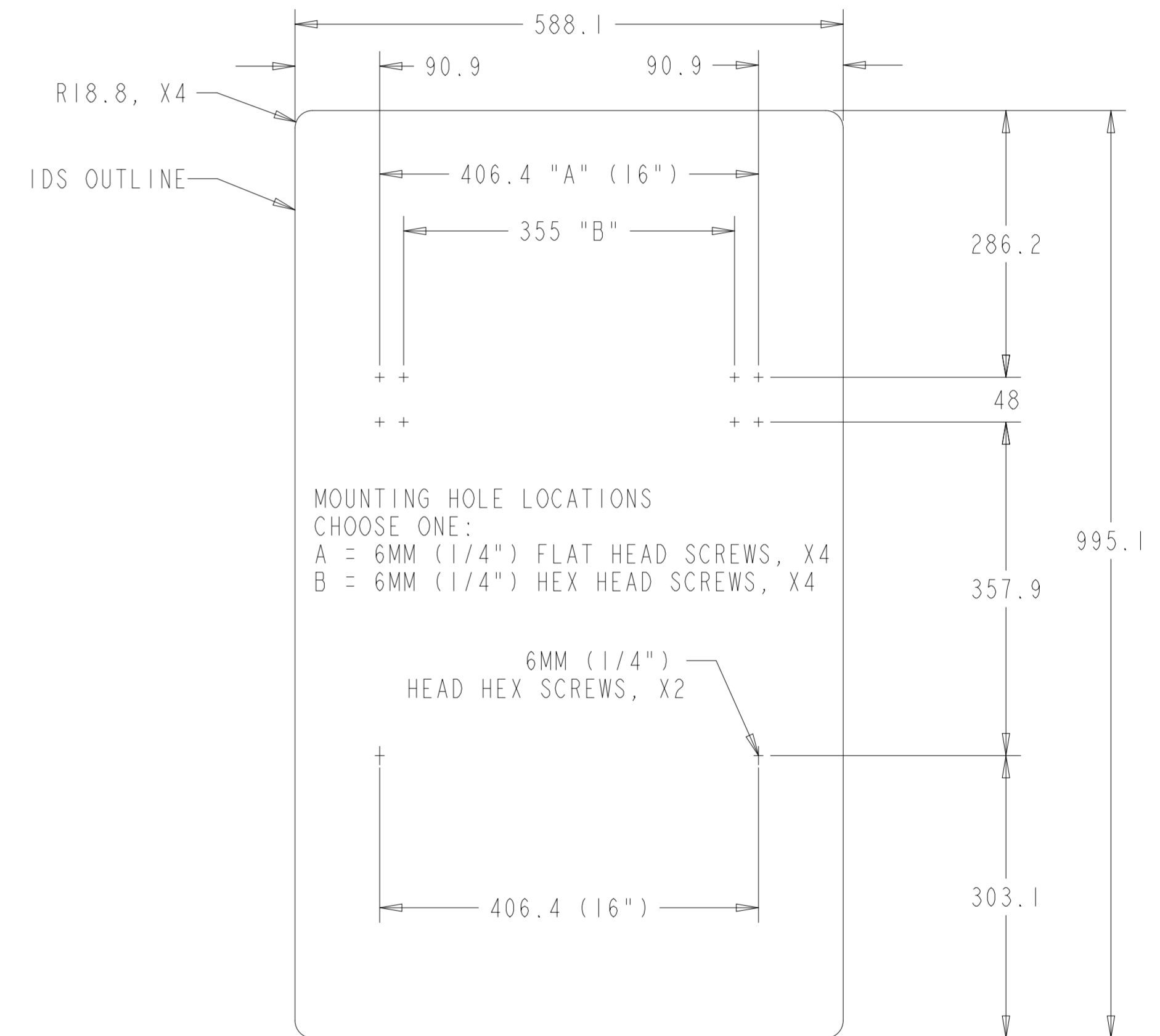


MOUNTING HOLE LOCATIONS FOR
 OPTIONAL LOW PROFILE WALLMOUNT KIT P/N E275050

LANDSCAPE ORIENTATION



PORTRAIT ORIENTATION



OPTIONAL SIDE MOUNT BRACKET KIT P/N E329508
4 ADJUSTABLE BRACKETS INCLUDED IN KIT
CUSTOMER ASSEMBLED

